

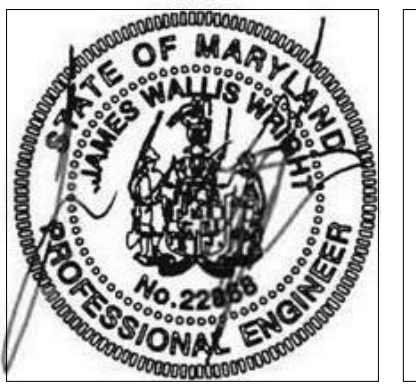
DRAWING NOTES:

- 1 10-WAY 4" PVC CONCRETE ENCASED COMMUNICATIONS DUCTBANK UNDER BUILDING. SEE DETAIL #3 THIS SHEET.
- 2 PROVIDE 1" CONDUIT FROM SCHOOL SIGN JUNCTION BOX TO BELOW GRADE JUNCTION BOX.
- 3 PROVIDE EXTERIOR JUNCTION BOX/HANDHOLE. REFER TO DETAIL #2 THIS SHEET
- 4 COORDINATE EXACT LOCATION WITH TELEPHONE AND CABLE TV UTILITIES.
- 5 PROVIDE (4) 4" DIRECT BURIED CONDUITS. REFER TO DETAIL #1 THIS SHEET.
- 6 PROVIDE BELOW GRADE JUNCTION BOX, PER UTILITY COMPANY REQUIREMENTS.
- 7 PROVIDE (10) 4" DIRECT BURIED CONDUITS.
- 8 PROVIDE (2) 4" DIRECT BURIED CONDUITS.
- 9 PROVIDE (4) 4" DIRECT BURIED CONDUITS.
- 10 PROVIDE (6) 4" DIRECT BURIED CONDUITS. SEE DETAIL #1.

GENERAL NOTES:

1. INFORMATION SHOWN ON THIS DRAWING PERTAINING TO EXISTING CONDITIONS HAS BEEN OBTAINED FROM AVAILABLE BUILDING DRAWINGS OR GENERAL FIELD OBSERVATIONS AND MY NOT INDICATE ACTUAL EXISTING CONDITIONS IN DETAIL OR DIMENSION. THE CONTRACTOR IS RESPONSIBLE FOR DETERMINING THE ACTUAL EXISTING CONDITIONS PRIOR TO FABRICATION OR PERFORMANCE OF ANY WORK. SHOULD CONDITIONS BE DISCOVERED THAT PREVENT EXECUTION OF THE WORK AS INDICATED, THE CONTRACTOR SHALL IMMEDIATELY NOTIFY THE ARCHITECT IN WRITING AND AWAIT DIRECTION BEFORE PROCEEDING WITH THE WORK.
2. UTILITY COMPANIES ARE RESPONSIBLE FOR BRINGING IN ALL UTILITIES (TELEPHONE, CABLE AND DATA) TO THE NEW UTILITY POLE LOCATION. THE ELECTRICAL CONTRACTOR IS RESPONSIBLE FOR EXTENDING THE INDICATED CONDUITS FROM THE NEW UTILITY POLE LOCATION TO THE BUILDING.

Professional Certification:
I hereby certify that these documents were prepared or approved by me, & I am a duly licensed professional engineer under the laws of the State of Maryland License #22868, Expiration: 10-14-2020



ALL REPORTS, PLANS SPECIFICATIONS AND COMPUTER FILES RELATING TO THIS PROJECT ARE THE PROPERTY OF CRABTREE, ROHRBAUGH & ASSOCIATES. CRABTREE ROHRBAUGH & ASSOCIATES RETAINS ALL COMMON LAW, STATUTE AND OTHER RESERVED RIGHTS INCLUDING THE COPYRIGHT THEREIN. REPRODUCTION OF THE MATERIAL HEREIN OR SUBSTANTIAL USE WITHOUT WRITTEN PERMISSION OF CRABTREE, ROHRBAUGH & ASSOCIATES VIOLATES THE COPYRIGHT LAWS OF THE UNITED STATES AND WILL BE SUBJECT TO LEGAL PROSECUTION.
© CRABTREE, ROHRBAUGH & ASSOCIATES, INC. 2019

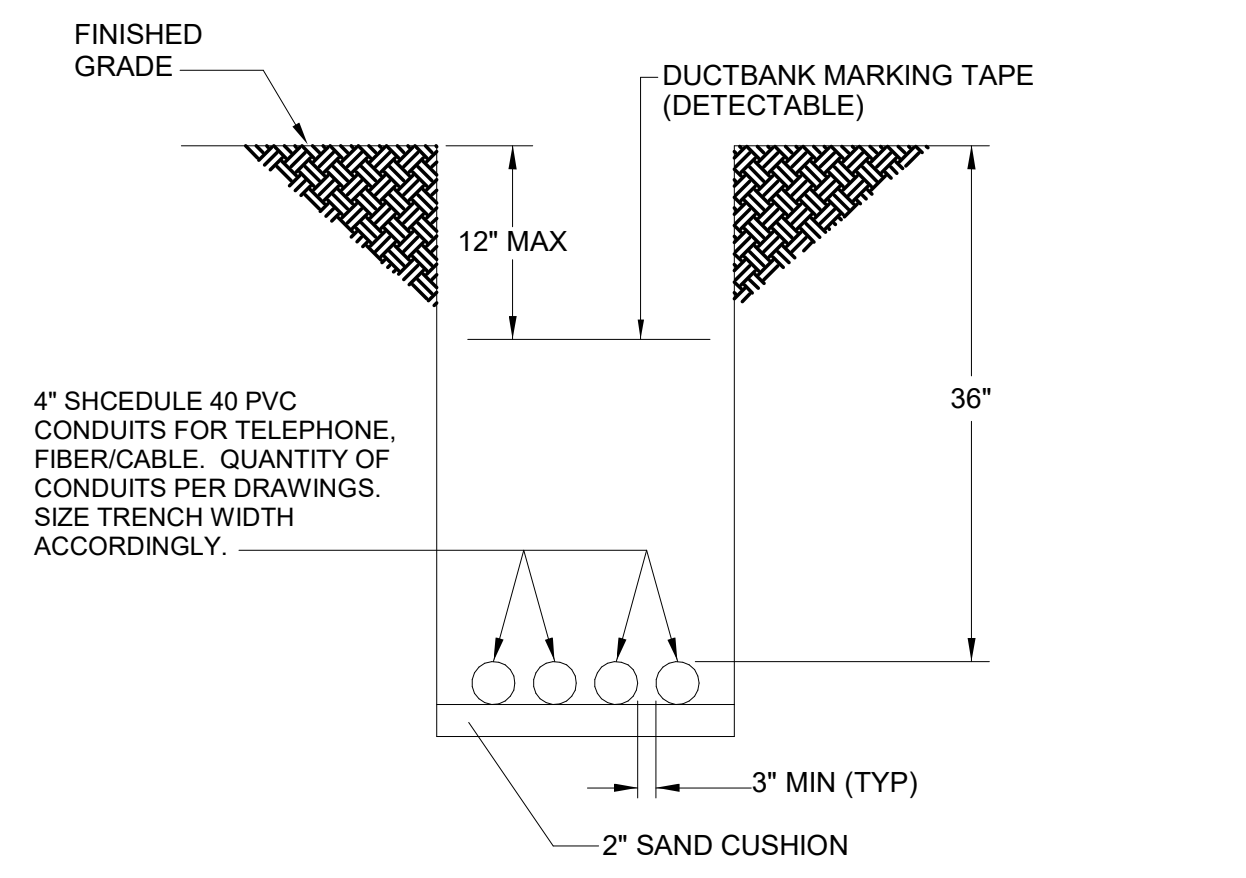
REVISIONS

NO.	MM-DD-YR	NAME	DESCRIPTION OF CHANGES

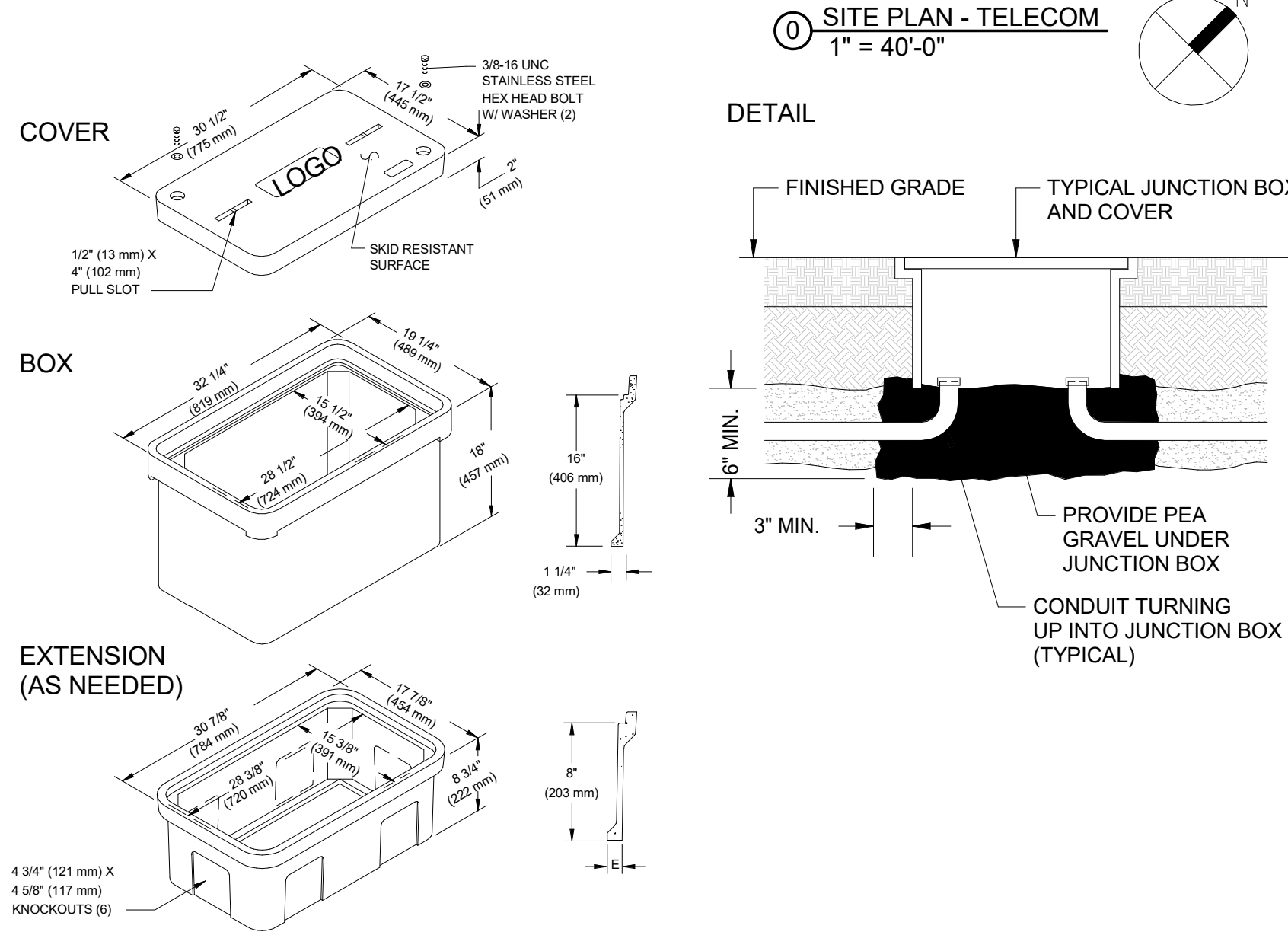
CRABTREE ROHRBAUGH & ASSOCIATES - ARCHITECTS
100 WEST ROAD, SUITE 402, TOWSON MD 21204 410-528-0272 www.cra-architects.com
MECHANICSBURG, PENNSYLVANIA CHARLOTTEVILLE, VIRGINIA WHITE SULPHUR SPRINGS, WEST VIRGINIA

PROPOSED NEW WASHINGTON COUNTY PUBLIC SAFETY TRAINING CENTER
WASHINGTON COUNTY PROJECT NO. 28-266
18350 PUBLIC SAFETY PLACE
HAGERSTOWN, MD 21740

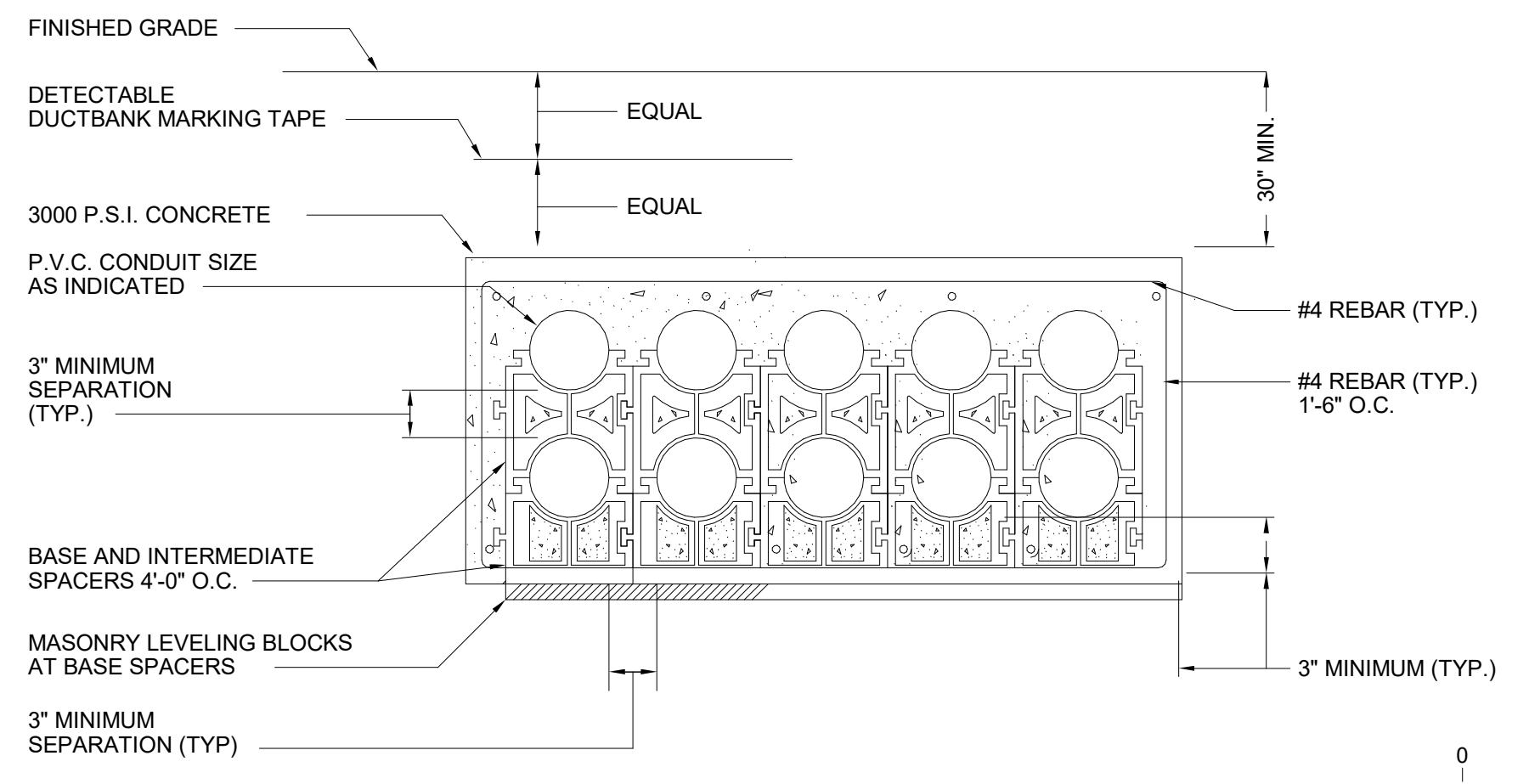
NOTE: COORDINATE EXCAVATION OF TRENCH AND INSTALLATION OF CONDUITS WITH UTILITY COMPANIES IN ADVANCE. WHERE MORE THAN (4) CONDUITS ARE REQUIRED, CONTRACTOR SHALL USE WHATEVER CONFIGURATION THEY WANT, AS LONG AS THEY MAINTAIN THE MINIMUM DIMENSION REQUIREMENTS.



1 TYPICAL DIRECT BURIED CONDUIT DETAIL
NO SCALE



2 TYPICAL BELOW GRADE JUNCTION BOX DETAIL
NO SCALE



3 10-WAY CONCRETE ENCASED DUCTBANK DETAIL
NO SCALE

